



DH-PFB303W

Wall Mount Bracket



Features

- Aesthetic design
- Wall mount bracket
- Material: aluminum

Camera Mount Series | DH-PFB303W

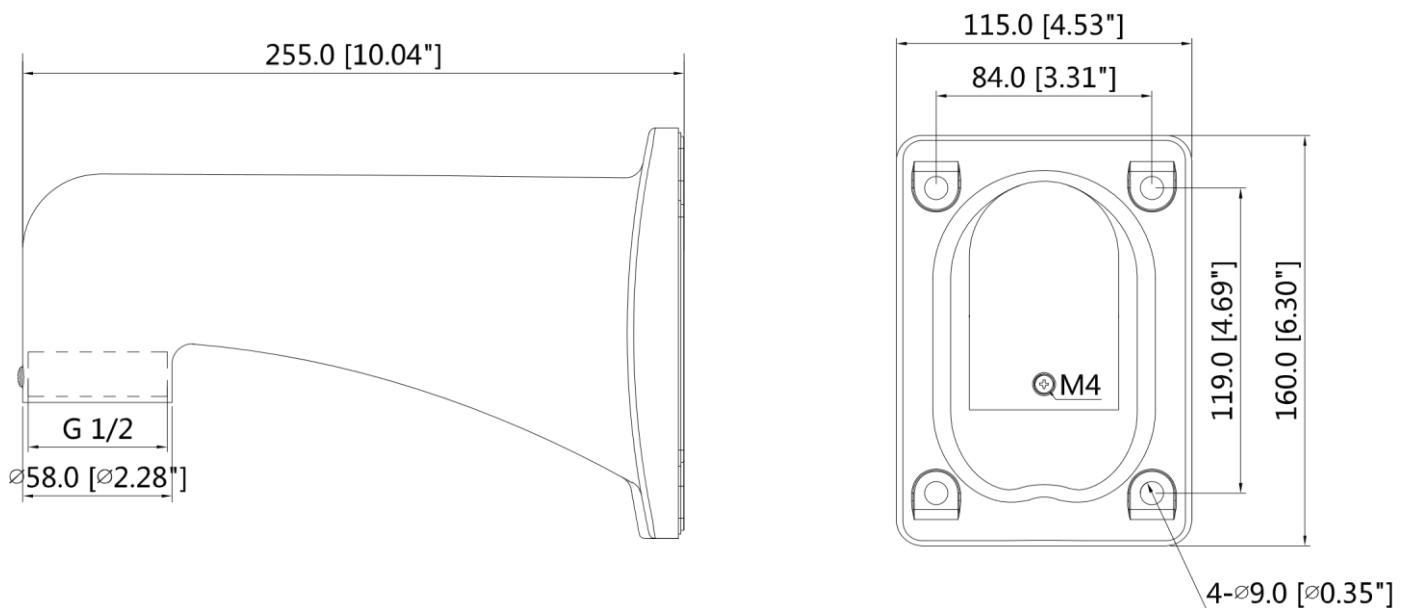
Technical Specifications

Model	DH-PFB303W
General	
Material	Aluminum
Dimension(WxHxD)	115mmx160mmx255mm (4.53"x6.3"x10.04")
Weight	0.66kg(1.46lb)
Load Bearing	7kg(15.43lb)
Color	White
Operating Temperature	-40°C ~ +60°C (-40°F ~ +140°F)
Humidity	<90% RH
Applicable Model	Please see "Accessory Selection"

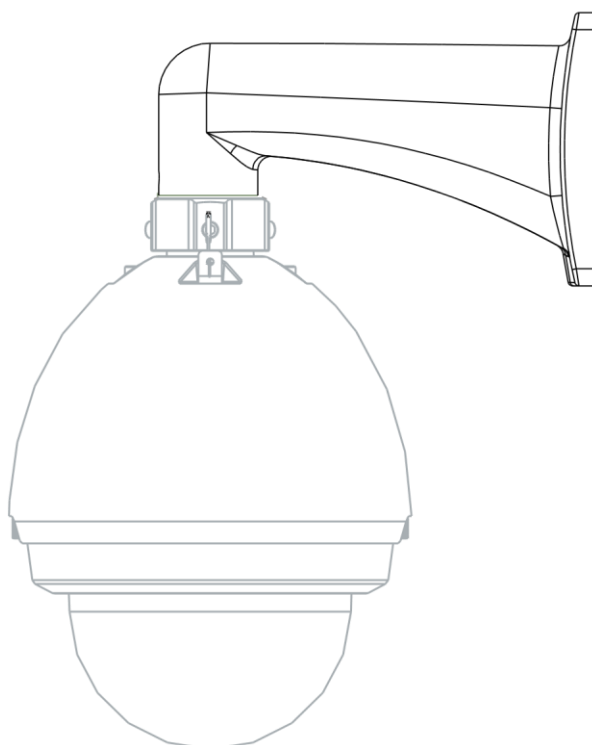
Order Information

Type	Part Number	Description
Camera Mount	DH-PFB303W	Wall mount bracket
	PFB303W	Wall mount bracket

Dimensions (mm/inch)



Application



Package Information

- Wall mount bracket *1